

SKIMMER

Technical Datasheet



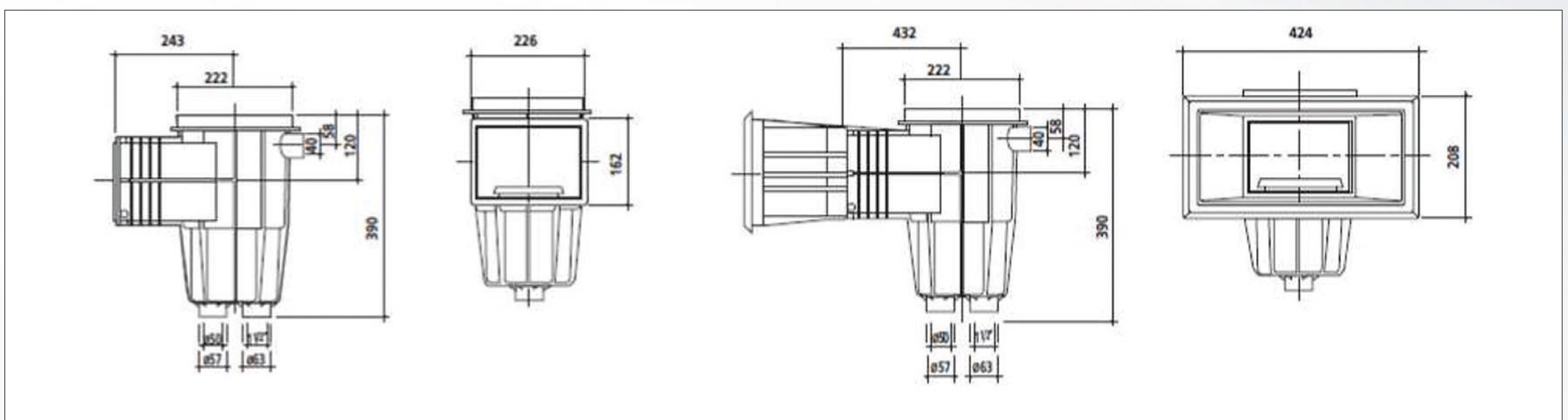
SKIMMERS

- Skimmers, to "drink" the pool water Skimmers are used to collect the surface layer of the water so it can be filtered and treated. They also come with an inner strainer basket to collect bulky foreign particles.
- Skimmers Manufactured entirely in sturdy white ABS, the skimmer plays an important role in water suction and debris retention. It includes a large capacity leaf strainer. All visible parts are treated for UV protection to prevent deterioration and extend the life of the skimmer. All models have two bottom connections, plus an overflow connection. In all models the strainer basket is secured in place by a bayonet locking device, for easier removal and to prevent the basket from floating out of position. Models Choose the most suitable option from standard models and models with a long throat and a wide mouth. Models with a decorative faceplate are also available for standard and long throat skimmers. Accessories Auto top-up: if necessary, water is automatically added through an inlet valve. Skimmer collar extension ring: allows total flexibility to ensure the skimmer cover is fully flush with any surface. Decorative Faceplate: to improve the finish of skimmers with a wide mouth. ABS floating weir assembly: for skimmers without a flap; includes a floating strainer basket.
- Skimmers should be placed downwind of the prevailing winds to prevent stagnant areas of dirt from forming. The water level must be around 2/3 of the height of the skimmer mouth for more efficient surface skimming. We recommend installing one skimmer for every 25 m² of water surface, considering that: For skimmers of 15 l, we recommend a maximum flow rate of 5 m³/hour. For skimmers of 17.5 l, we recommend a maximum flow rate of 7.5 m³/hour.



SKIMMERS FOR CONCRETE POOLS

- All skimmer models are made in abs plastic and equipped with suction regulator and locking mechanism of baskets against back pressure. Skimming by buoy float or floating weir. Suction port 1 1/2" female threaded (2" also possible upon request.) Ø 63 mm external slip. Second port: Ø50 mm female slip. Overflow drainage : Ø 40 mm female slip.
- CODES: OSC HKE160- 161 - 111 - 112 - 113 - 114

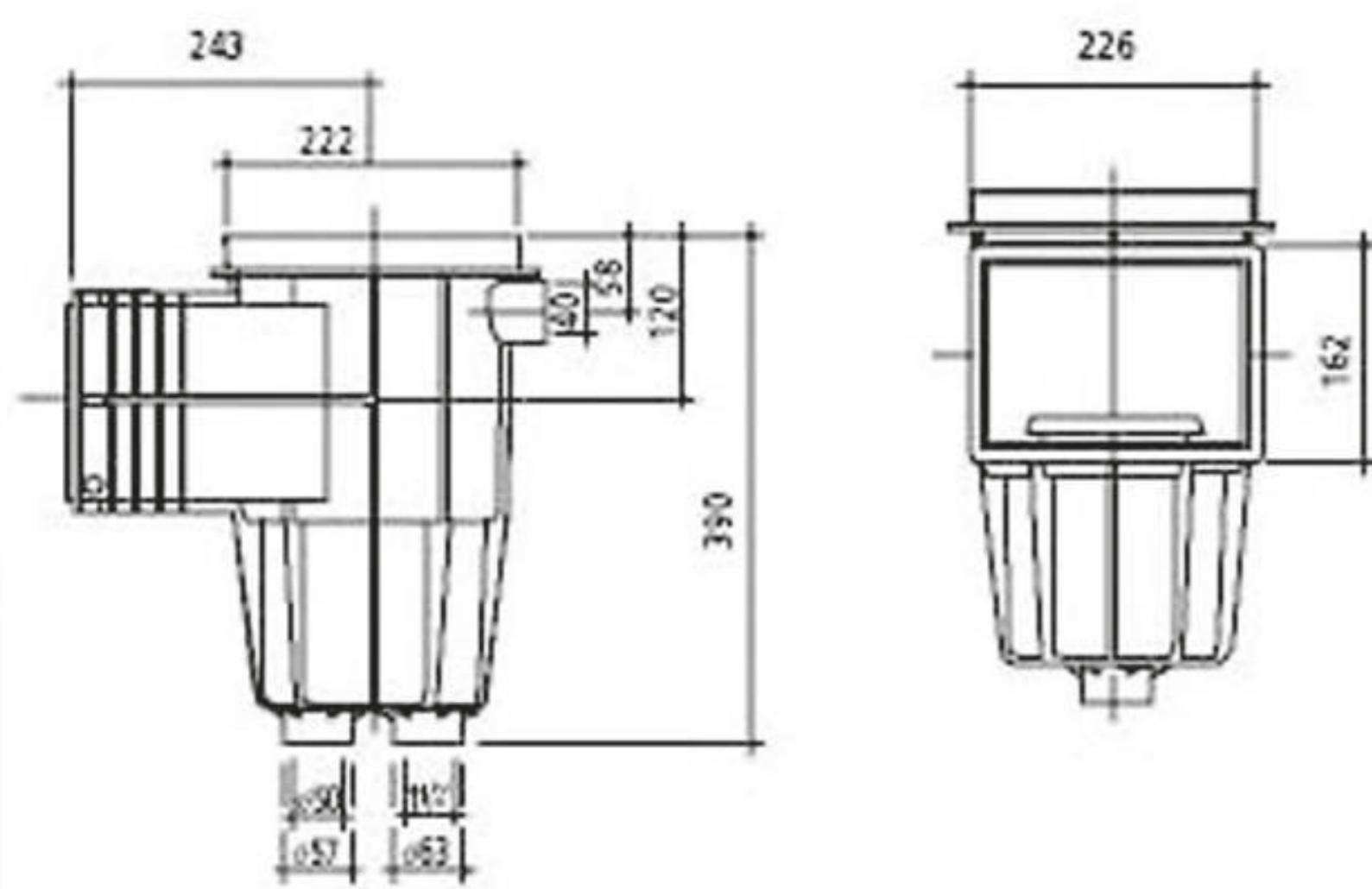


Skimmers for Concrete Pools

OSC HKE111

•Standart Skimmer For Concrete Pools

All skimmer models are made in abs plastic and equipped with suction regulator and locking mechanism of baskets against back pressure. Skimming by buoy float or floating weir. suction port: 1 1/2 female threaded (2 also possible upon request), Ø 63 mm external slip. second port: Ø 50 mm female slip. Overflow drainage: Ø 40 mm female slip.

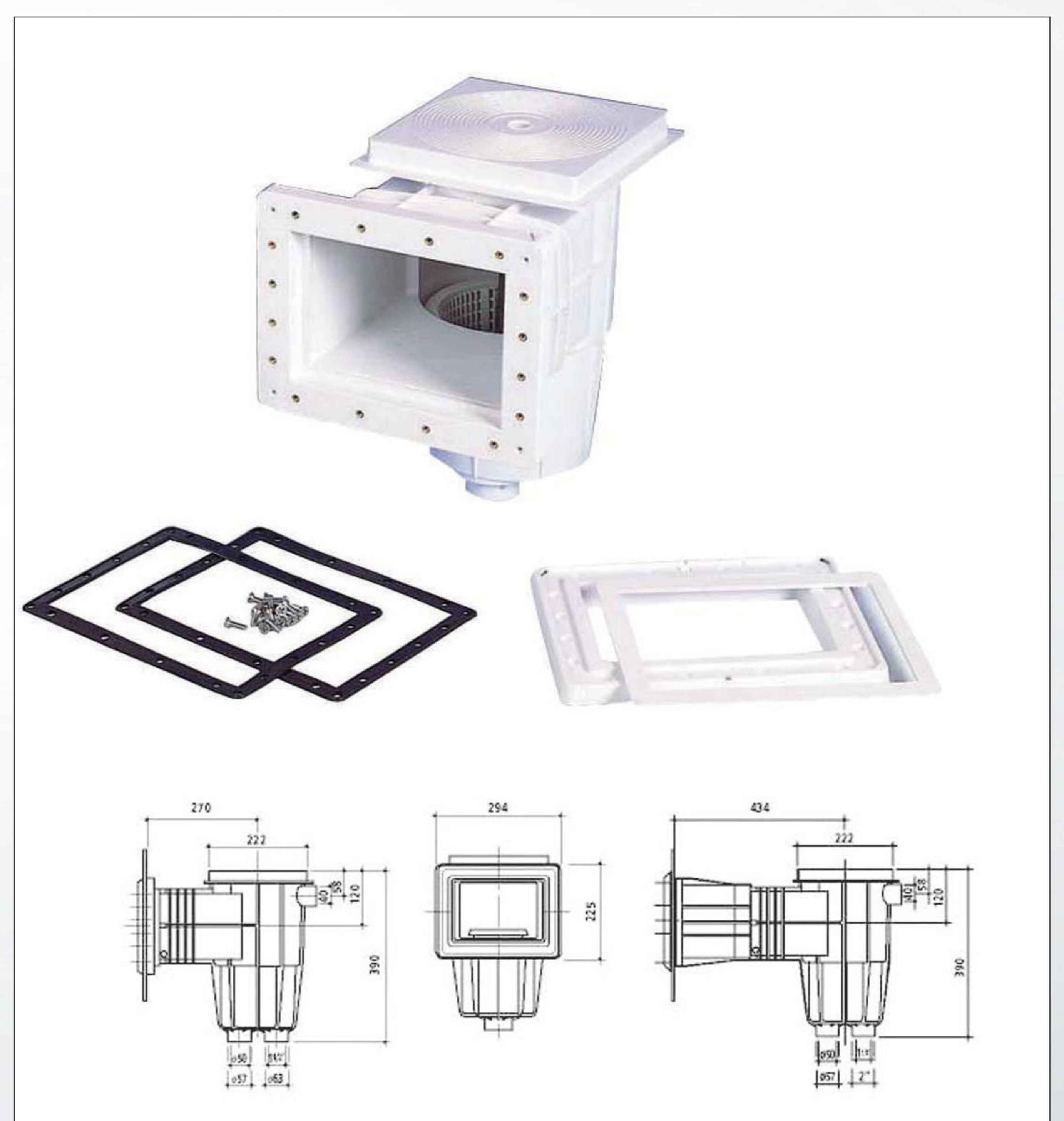


Skimmers for Liner Pools

OSC HKE112

•Standard Throat Skimmers For Liner Pools

All skimmer models are made of abs plastic and equipped with discharge regulator and locking mechanism basket against back pressure. Skimming by buoy float or floating weir. suction port: 1 1/2 female threaded (2 also possible upon request), Ø 63 mm external slip. Discharge port: Ø 50 mm female slip. Overflow drainage: Ø 40 mm female slip. complete with flange, gaskets, stainless steel screws and front cover. Flange connections can be with brass cavities or plastic nests.

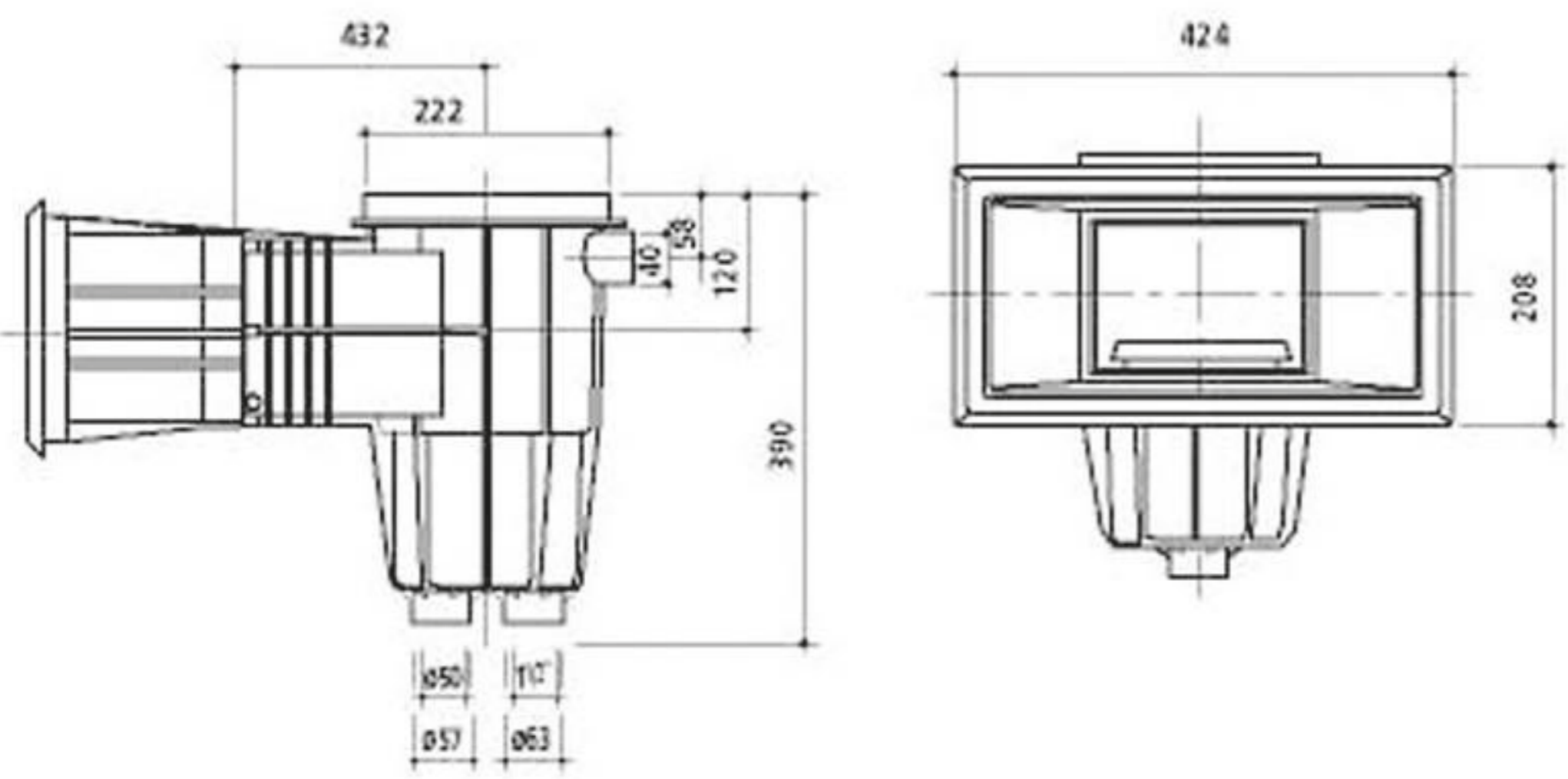


Skimmers for Concrete Pools

OSC HKE113

• Extended Throat (+10 Cm) Skimmer For Concrete Pools

All skimmer models are made in abs plastic and equipped with suction regulator and locking mechanism of baskets against back pressure. Skimming by buoy float or floating weir. suction port: 1 1/2 female threaded (2 also possible upon request), Ø 63 mm external slip. Second port: Ø 50 mm female slip. Overflow drainage: Ø 40 mm female slip.

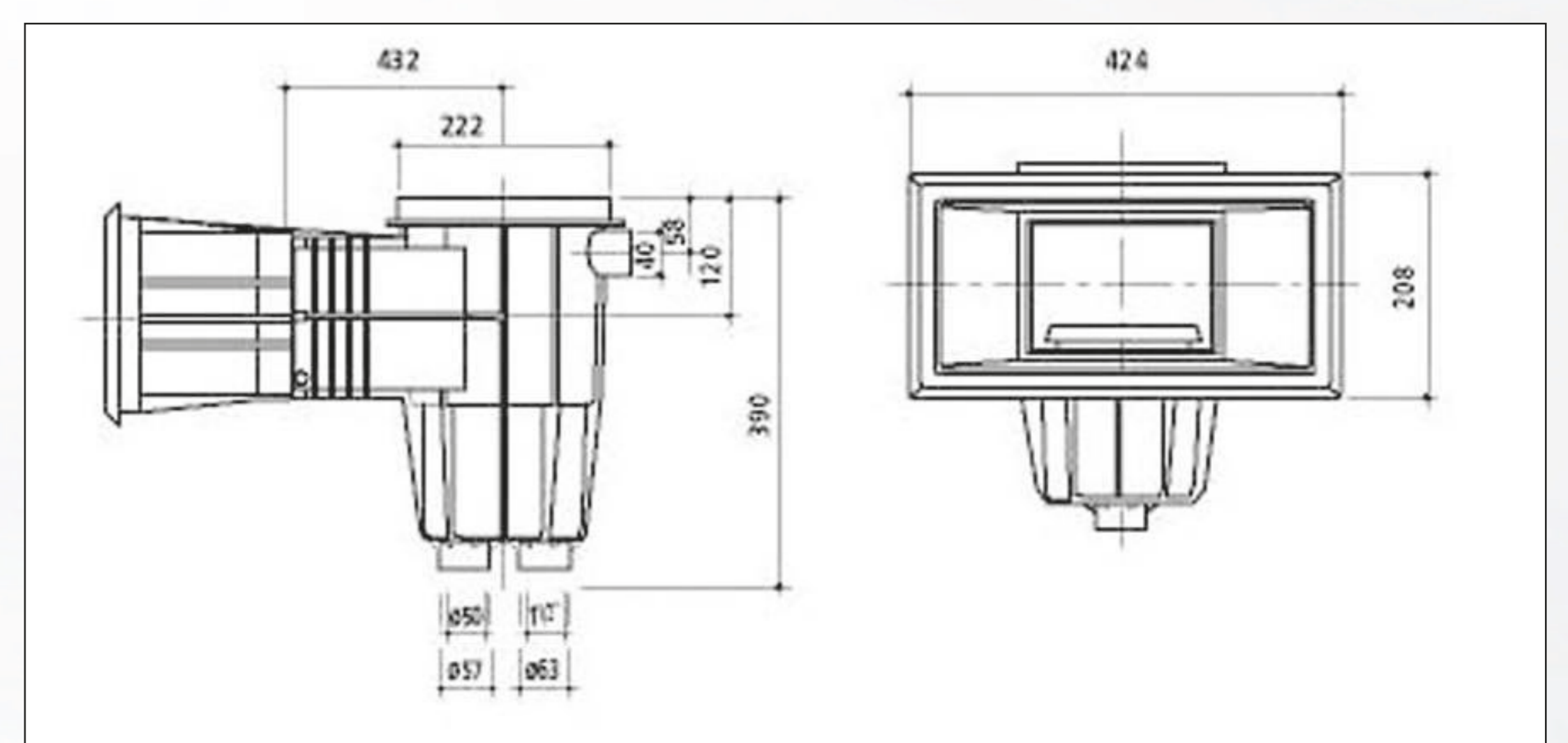


Skimmers for Concrete Pools

OSC HKE113

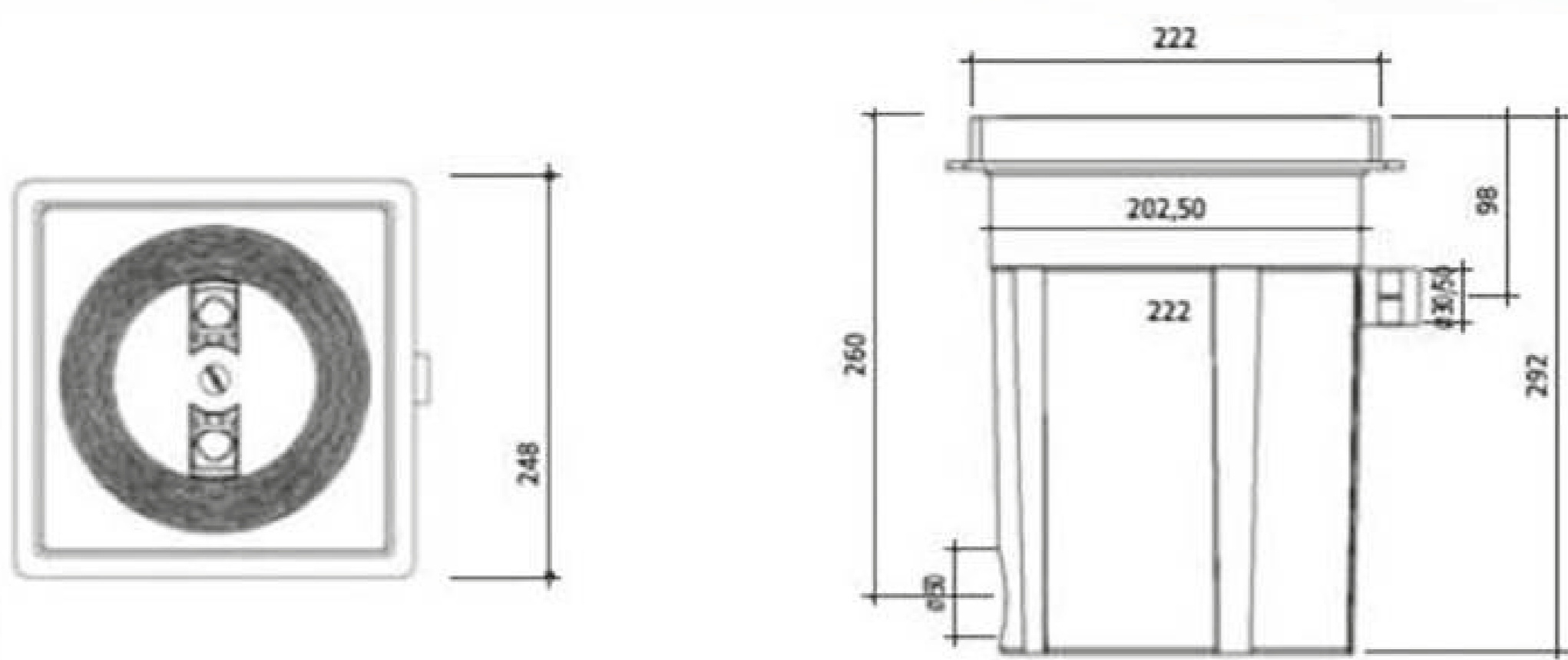
• Wide Mouth Skimmer For Concrete Pools

All skimmer models are made in abs plastic and equipped with suction regulator and locking mechanism of baskets against back pressure. Skimming by buoy float or floating weir. suction port: 1 1/2 female threaded (2 also possible upon request), Ø 63 mm external slip. Second port: Ø 50 mm female slip. Overflow drainage: Ø 40 mm female slip.



Skimmers Level Regulator

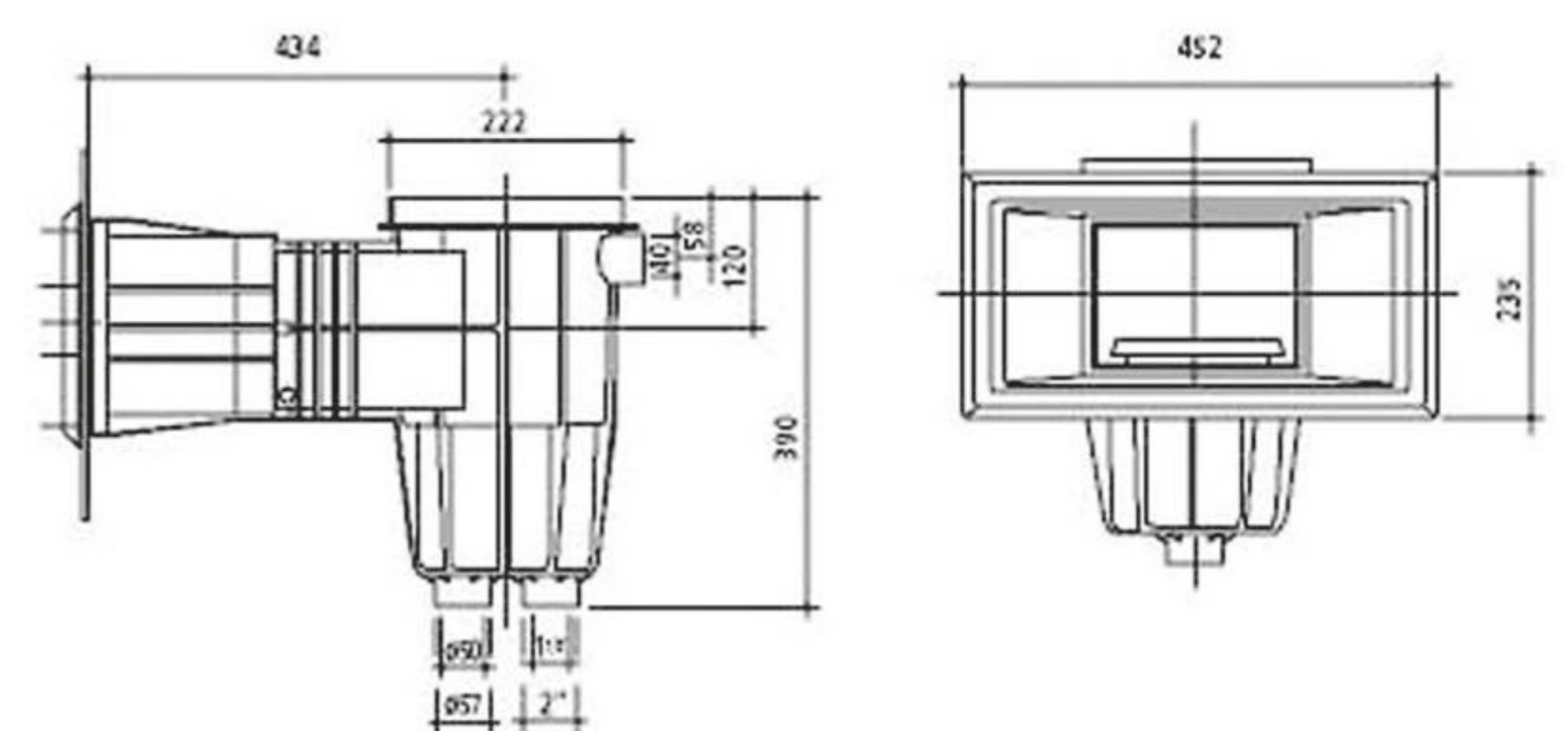
- Automatic level regulator
- Body is made of abs plastic Complete with 3/8
- Plastic floating valve and Ø50 mm pvc slip connection either side or bottom alternatively.
- Ditto, with locking decklid



Skimmers for Liner Pools

OSC HKE114

- UExtension Throat (+10 Cm) Skimmers For Liner Pools All skimmer models are made of abs plastic and equipped with discharge regulator and locking mechanism basket against back pressure. Skimming by buoy floator floating weir. suction port: 1 1/2 female threaded (2 also possible upon request), Ø 63 mm external slip. Discharge port: Ø 50 mm female slip. Overflow drainage: Ø 40 mm female slip. Complete with flange, gaskets, stainless steel screws and front cover. Flange connections can be with brass cavities or plastic nests.



Skimmers for Liner Pools

OSC HKE114

- Wide Mouth Skimmers For Liner Pools

All skimmer models are made of abs plastic and equipped with discharge regulator and locking mechanism basket against back pressure. Skimming by buoy floator floating weir. suction port: 1 1/2 female threaded (2 also possible upon request), Ø 63 mm external slip. Discharge port: Ø 50 mm female slip. Overflow drainage: Ø 40 mm female slip. complete with flange, gaskets, stainless steel screws and front cover. Flange connections can be with brass cavities or plastic nests.

